

## Solar Vision

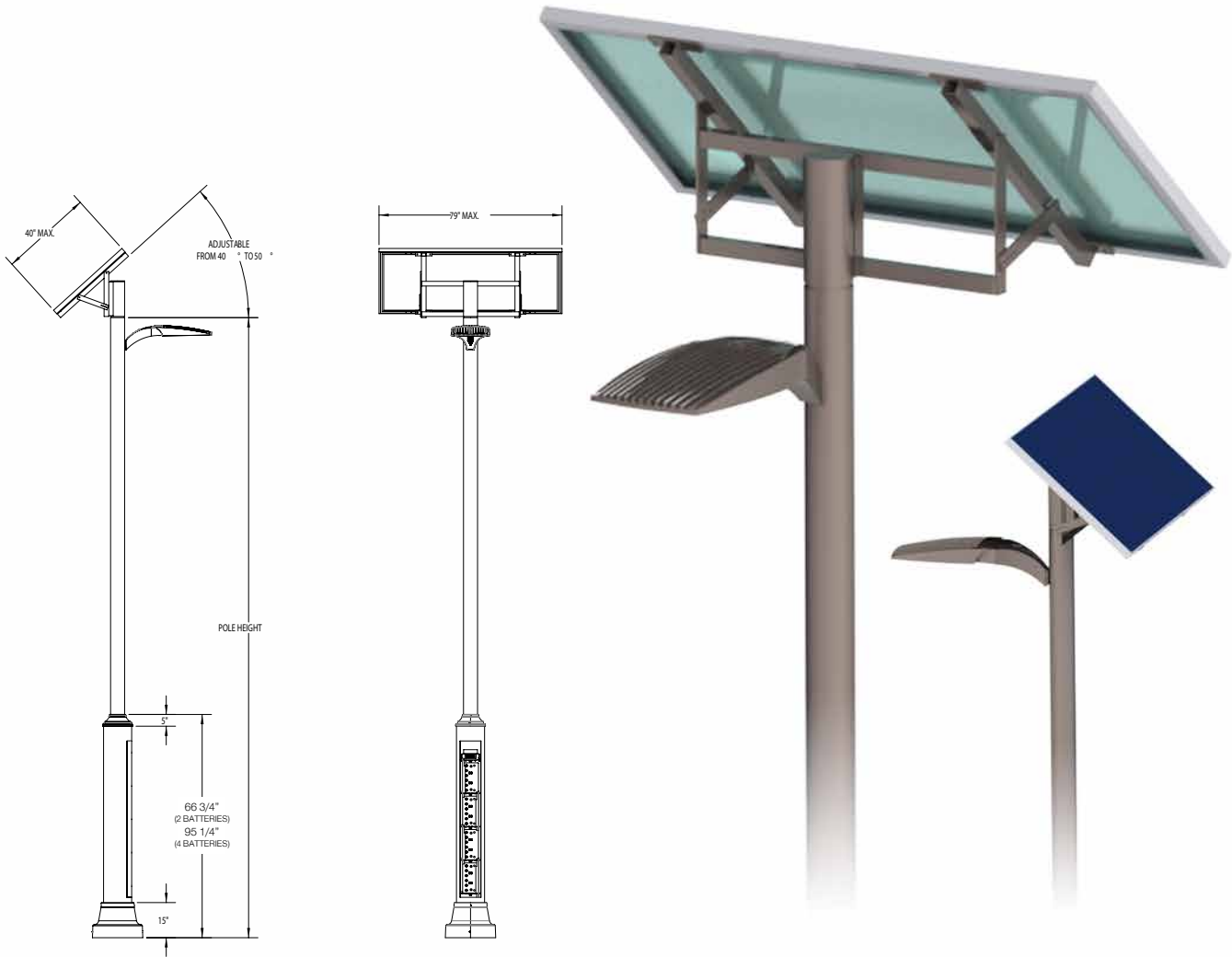
### Solar Powered LED Lighting

The NEW Solar Powered Lighting System from Visionaire offers a robust LED Lighting System with a lumen package that rivals traditional lighting systems. Choose a lumen package that is maximized for your geographical area and matched with batteries and solar panels for maximum energy utilization and efficiency. One complete system from top to bottom supplied by Visionaire Lighting

#### Key Features:

- Five different fixture designs to choose from.
- Multiple optical distributions for all applications.
- Factory preset lighting profiles, or customized to your needs.
- Lumen packages of 3,500, 5,200, or 8,800 Lumens.
- Prewired electrical system for ease of installation.
- Maximum Power Point Tracker Technology with MPPT industrial solar charge controller.
- Industrial grade LED-Driver with timer and dimming functions.

# Solar Vision Pole Base Battery Mount

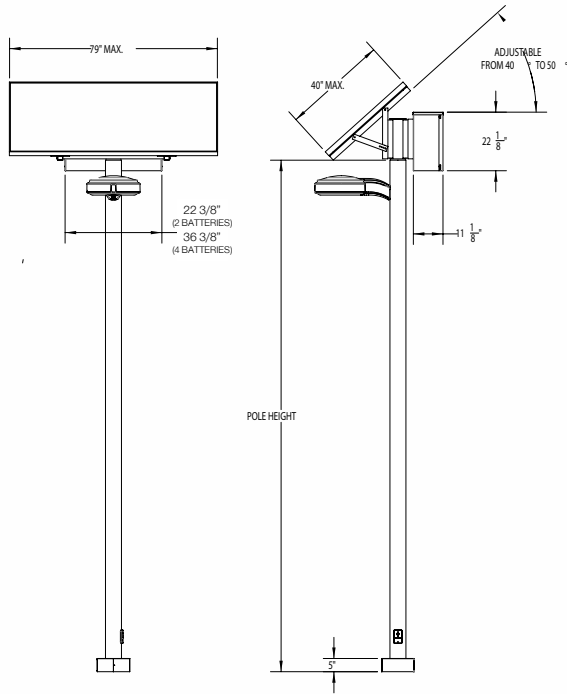


Solar Vision Base Battery Mount

MODEL	BATTERY	HEIGHT	# LEDs	MILLIAMPS	FINISH	LUMINAIRE	OPTIONS
SVB	2 (2)	14' <b>(14)</b>	80 <b>(80LC)</b>	70 <b>(7)</b>	SILVER METALLIC <b>(SL)</b>	ROADWAY LX <b>(RLX)</b>	
	4 (4)	16' <b>(16)</b>		110 <b>(11)</b>	UTILITY GREY <b>(UG)</b>	ARIA <b>(ARI-1-L)</b>	
		18' <b>(18)</b>		140 <b>(14)</b>	BRONZE <b>(BZ)</b>	PARKINGSTAR II <b>(PST-2-L)</b>	
		20' <b>(20)</b>		210 <b>(21)</b>	BLACK <b>(BK)</b>	VMX <b>(VMX-1)</b>	
		22' <b>(22)</b>		280 <b>(28)</b>	WHITE <b>(WH)</b>	Oden <b>(ODN-2L)</b>	
			350 <b>(35)</b>	FOREST GREEN <b>(FG)</b>			
				GREY <b>(GY)</b>			
				CUSTOM COLOR <b>(CC)</b>			

For more detailed information on mounting, wiring or installation instructions, please consult factory. If poles are not ordered with fixtures, please specify mounting requirements. This document contains proprietary information of Visionaire Lighting, LLC. Any use of this information requires the written approval of Visionaire Lighting, LLC. In keeping with our TQM policy of continuous improvement, Visionaire reserves the right to change any specifications contained herein without prior notice.

# Solar Vision Pole Mounted Battery Enclosure



Solar Vision Pole Mount Battery Enclosure

MODEL	BATTERY	HEIGHT	# LEDs	MILLIAMPS	FINISH	LUMINAIRE	OPTIONS
SVE	2 (2)	14' <b>(14)</b>	80 <b>(80LC)</b>	70 <b>(7)</b>	SILVER METALLIC <b>(SL)</b>	ROADWAY LX <b>(RLX)</b>	
	4 (4)	16' <b>(16)</b>		110 <b>(11)</b>	UTILITY GREY <b>(UG)</b>	ARIA <b>(ARI-1-L)</b>	
		18' <b>(18)</b>		140 <b>(14)</b>	BRONZE <b>(BZ)</b>	PARKINGSTAR II <b>(PST-2-L)</b>	
		20' <b>(20)</b>		210 <b>(21)</b>	BLACK <b>(BK)</b>	VMX <b>(VMX-1)</b>	
		22' <b>(22)</b>		280 <b>(28)</b>	WHITE <b>(WH)</b>	Oden <b>(ODN-2L)</b>	
			350 <b>(35)</b>	FOREST GREEN <b>(FG)</b> GREY <b>(GY)</b> CUSTOM COLOR <b>(CC)</b>			

For more detailed information on mounting, wiring or installation instructions, please consult factory. If poles are not ordered with fixtures, please specify mounting requirements. This document contains proprietary information of Visionaire Lighting, LLC. Any use of this information requires the written approval of Visionaire Lighting, LLC. In keeping with our TQM policy of continuous improvement, Visionaire reserves the right to change any specifications contained herein without prior notice.





19645 Rancho Way . Rancho Dominguez, CA 90220  
310.512.6480    [www.VisionaireLighting.com](http://www.VisionaireLighting.com)