

Tii LED products offer high brightness and long life with superior energy savings.

WallPacks are designed to illuminate building entrances, hallways, loading docks or parking areas. They can be used as an up or down light and feature a rugged die-cast construction rated IP66 for outdoor wet locations.



- *100,000 Hour LED Life*
- *Outdoor Wet Location Rated (IP66)*
- *Dusk and Dawn Light Harvesting - The Industry's First!*
- *Direct Replacement For HID and Metal Halide Outdoor Fixtures*
- *Sleek, Slim, Architectural Profile*
- *5 Year Warranty*



Specifications

VOLTAGE (V)	120-277V at 50/60Hz, 347V Module Optional
COLOR ACCURACY (CRI)	Better than 85
POWER FACTOR	Better than 0.9
LUMEN MAINTENANCE (L70)	100,000 Hrs. LED life based on IES LM-80 results and TM-21 calculations
OPERATING TEMPERATURE	-40° F to +122° F (-40° C to +50° C)
CERTIFICATION	cULus Listed, Suitable for Wet Locations, NOM-ANCE, IP66 Rated, CE
WARRANTY	5 years limited

Features/Benefits

1. Long life & maintenance free
2. Full cutoff, fully shielded
3. Energy-savings up to 85%
4. DesignLights Consortium® (DLC) qualified product
5. Superior heat-sinking
6. Outdoor wet location rated (IP66)
7. Easy installation
8. Can be used as down light or up light
9. Rugged die-cast construction
10. Secure lock hinge
11. J-box or conduit wiring
12. Low profile design
13. Tested by independent laboratory in accordance with IESNA LM-79 and LM-80 standards
14. Received DOE Lighting Facts® label
15. Photocell function may be disable with internal switch

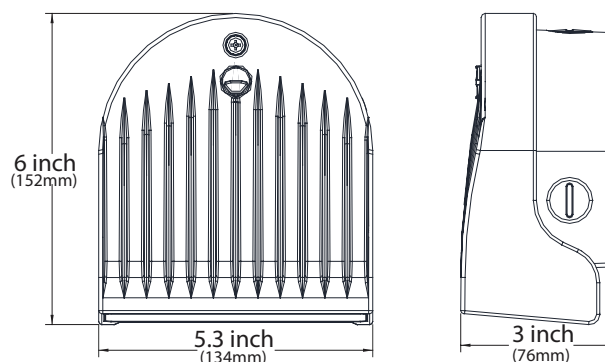
LED WallPack - 10 Series

ITEM #	POWER CONSUMPTION (WATTS)	COLOR TEMPERATURE	OUTPUT LUMENS (LM)	LUMENS PER WATT (LM/W)	PHOTOCELL	FINISH	HID WATTAGE EQUIVALENT
TPACK105K-N2W	8.5	5000K	781	92	ON/OFF	White	70W
TPACK105K-N2B	8.5	5000K	781	92	ON/OFF	Bronze	70W

LED WallPack - 20 Series

ITEM #	POWER CONSUMPTION (WATTS)	COLOR TEMPERATURE	OUTPUT LUMENS (LM)	LUMENS PER WATT (LM/W)	PHOTOCELL	FINISH	HID WATTAGE EQUIVALENT
TPACK205K-N2W	17.3	5000K	1429	82.5	ON/OFF	White	100W
TPACK205K-N2B	17.3	5000K	1445	83.5	ON/OFF	Bronze	100W

UNIT WEIGHT	2.25 lbs. (1.02 kg)
PACKAGE SIZE	L 6.5 Inch X W 5.82 Inch X H 3.45 Inch
	L 165mm X W 148mm X H 88 mm
PACKAGE WEIGHT	2.47 lbs. (1.1 kg)



LED WallPack - 30 Series

ITEM #	POWER CONSUMPTION (WATTS)	COLOR TEMPERATURE	OUTPUT LUMENS (LM)	LUMENS PER WATT (LM/W)	PHOTOCELL	FINISH	HID WATTAGE EQUIVALENT
TPACK305K-N3W	30.4	5000K	2821	91.8	***Dusk & Dawn Light Harvesting	White	150W
TPACK305K-N3B	30.8	5000K	2821	91.8	***Dusk & Dawn Light Harvesting	Bronze	150W

LED WallPack - 40 Series

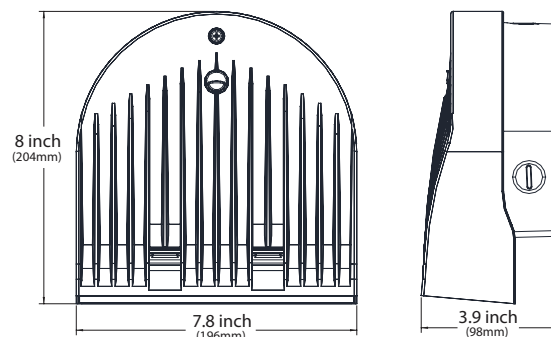
TPACK405K-N3W	38.9	5000K	3387	78.1	***Dusk & Dawn Light Harvesting	White	175W
TPACK405K-N3B	38.9	5000K	3387	87.0	***Dusk & Dawn Light Harvesting	Bronze	175W

LED WallPack - 50 Series

TPACK505K-N3W	44.8	5000K	4381	99.1	***Dusk & Dawn Light Harvesting	White	200-250W
TPACK505K-N3B	43.5	5000K	4346	99.9	***Dusk & Dawn Light Harvesting	Bronze	200-250W

*** Light output from the unit automatically adjusts to surrounding visibility (sensed by photocell) resulting in additional energy savings.

UNIT WEIGHT	4.14 lbs. (1.88 kg)
PACKAGE SIZE	L 8.9 Inch X W 8.4 Inch X H 4.4 Inch
	L 215 mm X W 210 mm X H 106 mm
PACKAGE WEIGHT	4.30 lbs. (1.95 kg)



ITEM #	POWER CONSUMPTION (WATTS)	COLOR TEMPERATURE	OUTPUT LUMENS (LM)	LUMENS PER WATT (LM/W)	PHOTOCELL	FINISH	HID WATTAGE EQUIVALENT
--------	---------------------------	-------------------	--------------------	------------------------	-----------	--------	------------------------

LED WallPack - 60 Series

TPACK605K-N3W	53.3	5000K	5350	100.3	*Dusk & Dawn Light Harvesting	White	200-300W
TPACK605K-N3B	53.3	5000K	5350	100.3	*Dusk & Dawn Light Harvesting	Bronze	200-300W

LED WallPack - 70 Series

TPACK705K-N3B	74.8	5000K	6096	81.5	*Dusk & Dawn Light Harvesting	Bronze	300-350W
TPACK705K-N3W	74.8	5000K	6096	81.5	*Dusk & Dawn Light Harvesting	White	300-350W

LED WallPack - 80 Series

TPACK805K-N3W	86.1	5000K	7933	92.1	*Dusk & Dawn Light Harvesting	White	350-400W
TPACK805K-N3B	86.1	5000K	7933	92.1	*Dusk & Dawn Light Harvesting	Bronze	350-400W

* Light output from the unit automatically adjusts to surrounding visibility (sensed by photocell) resulting in additional energy savings.

WEIGHT	8.92 lbs. (4.046 kg)
PACKAGE SIZE	L 9.45 Inch X W 11.18 Inch X H 5.51 Inch x 2
	L 240mm x W 284mm x H 150mm x 2
PACKAGE WEIGHT	20.04 lbs. x 2 (9.092 kg)

